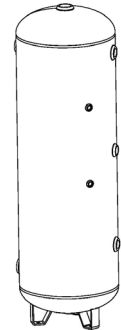


Job Name:		
Job No:	JWC Representative:	
Tag No.:	Submitted By:	Date:
Engineer:	Approved By:	Date:
Contractor:	Order No.:	Date:

JSTG Series

ASME Galvanized Hydro-Pneumatic Tanks For Potable Water Systems Suitable for Temperatures up to 160°F



APPLICATION

- JSTG Series hydro-pneumatic tanks are designed for hot or cold water applications.
- The hot-dipped galvanizing process provides a durable maintenance-free protective coating suitable for temperatures up to 160° F.
- During galvanizing, molten zinc reacts with the surface of the base material to form a series of zinc/iron alloys that provide an inner layer of protection against corrosion.

DESIGN PRESSURE AND TEMPERATURE

- Maximum design pressure: 125 PSI (862 kPa)
- 150, 175, 200, 250, 300 PSI available upon request
- Maximum design temperature: 500°F (260°C)

TYPICAL DESIGN SPECIFICATION

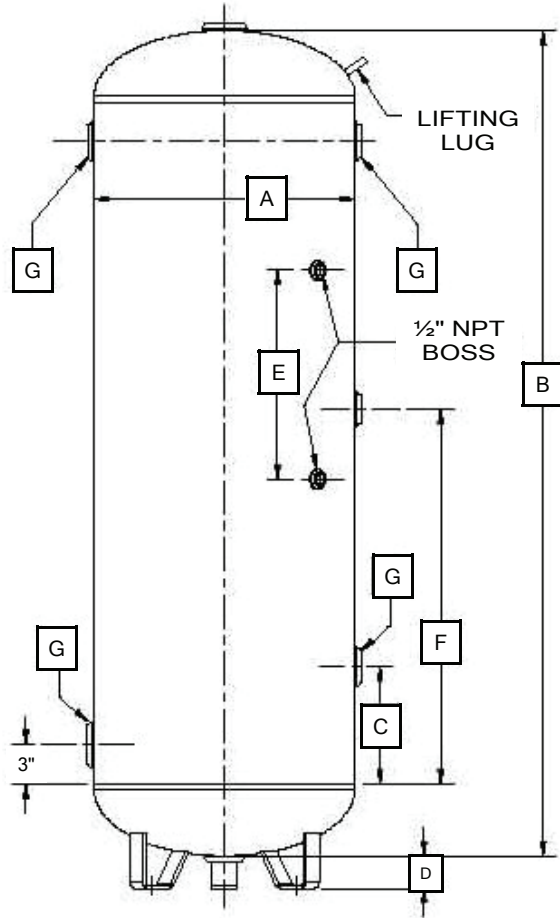
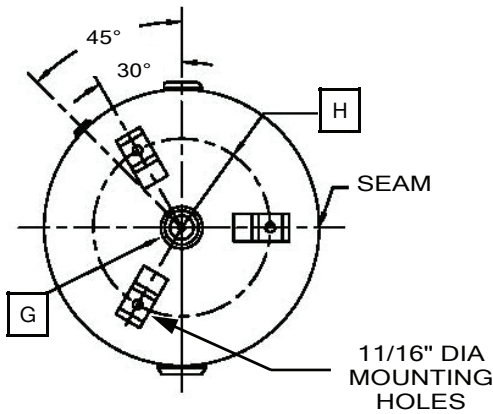
Furnish and install as shown on plans John Wood Model No. JSTG-____ - ____ (____ gallon / ____ liter) ASME galvanized steel storage tank. The tank shall be fitted with a minimum of six (6) NPT boss system connections, two (2) NPT boss connections for a water gauge glass assembly, and legs designed for vertical installation (or saddles for horizontal installation). The tank must be designed and constructed in accordance with the ASME Boiler and Pressure Vessel Code Section VIII, Division I, with a stamped MAWP of 125 PSI (862 kPa) and a maximum design temperature of 500°F (260°C).

SPECIFICATIONS

- Fabricated and stamped in accordance with the ASME BPV Code Section VIII, Division 1
- Installation: vertical or horizontal
- MOC: Carbon Steel
- Exterior finish: Galvanized
- Interior finish: Galvanized
- Standard inlet/outlet connections: FNPT
- Vent and drain connections: FNPT
- Strap type support legs provide 2½" clearance for the 24" diameter, 1¾" clearance for the 30" diameter, and 1¼" clearance for the 36" diameter
- Two (2) ½" FNPT boss connections are included with 20" center-to-center spacing



JSTG Series / ASME



PART NUMBER	MAWP	VOLUME		A DIA	B OH	C DIM	D DIM	E DIM	F DIM	G NPT	H BOLT CIRCLE	TANK WEIGHT	
		GAL	L									LBS	KG
JSTG-22-001	125	80	303	20	63¼	9	2½	16	28¾	1½	6-7/16	130	59
*JSTG-22-005	125	175	662	30	62¼	9	1⅝	20	25⅝	2	9⅞	300	136
*JSTG-22-007	125	240	908	30	84	9	1⅝	20	36½	2	9⅞	385	175
JSTG-22-008	125	305	1155	30	107½	9	1⅝	20	49⅝	2	9⅞	475	216
JSTG-24-011	125	505	1912	36	121½	10	1¾	20	53¾	2	11⅝	750	340

Dimensions are approximate and subject to change
 Dimensions should not be used for pre-piping
 Weights are approximate
 *Stock model

