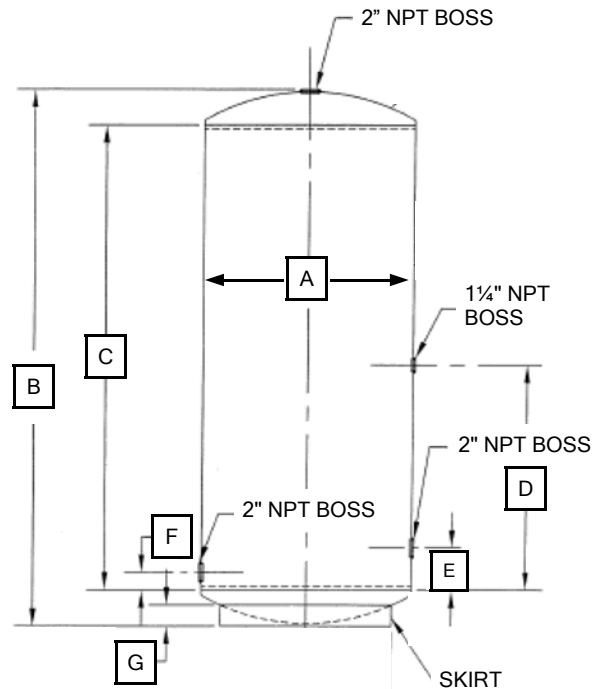
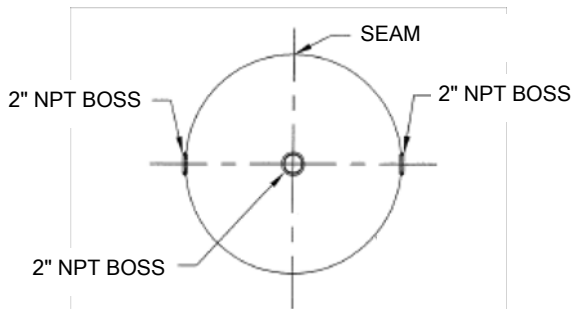




Job Name:		
Job No:	JWC Representative:	
Tag No.:	Submitted By:	Date:
Engineer:	Approved By:	Date:
Contractor:	Order No.:	Date:

JVPG Series

Non-Code Galvanized Storage Tanks
 Certified by NSF to NSF/ANSI Standard 61
 For Potable Water Systems
 Suitable for Temperatures
 up to 140°F



MODEL NUMBER	MAWP	TANK VOLUME		A DIAMETER		B HEIGHT		C DIM	D DIM	E DIM	F DIM	G DIM	EST WEIGHT	
		GAL	L	IN	MM	IN	MM						LBS	KG
JVPG-16-312	75	220	833	30	762	78	1981	66	32	6	2½	3	303	137
JVPG-16-313	75	315	1192	36	914	79½	2019	66	32	6	2½	4	416	189

Dimensions are subject to change.
 Shipping weights are approximate.