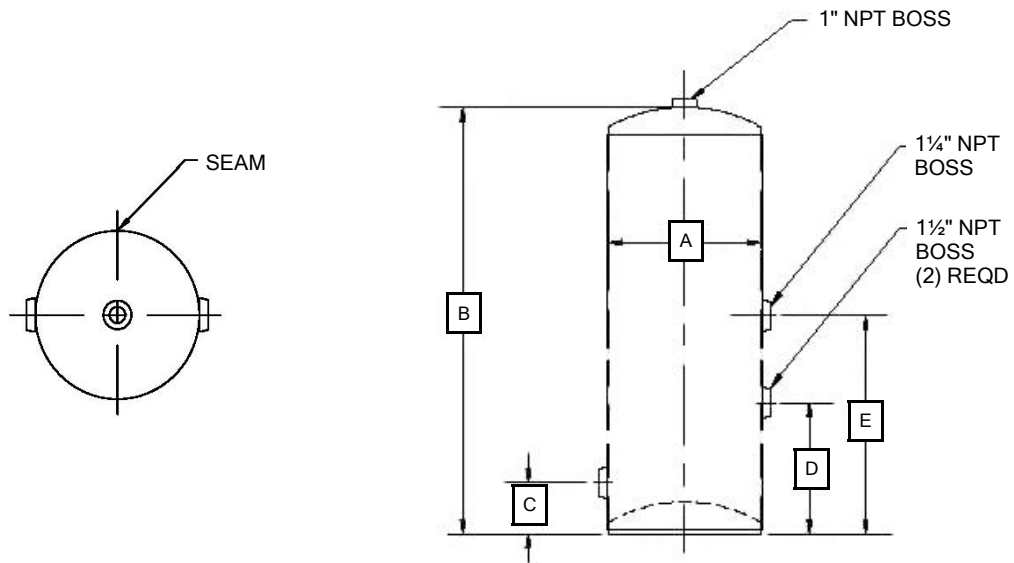




Job Name:		
Job No:	JWC Representative:	
Tag No.:	Submitted By:	Date:
Engineer:	Approved By:	Date:
Contractor:	Order No.:	Date:

JVPG Series

Non-Code Galvanized Storage Tanks
 Certified by NSF to NSF/ANSI Standard 61
 For Potable Water Systems
 Suitable for Temperatures up to 140°F



MODEL NUMBER	MAWP	TANK VOLUME		A DIAMETER		B HEIGHT		C DIM	D DIM	E DIM	EST WEIGHT	
		GAL	L	IN	MM	IN	MM				IN	IN
JVPG-16-328	125	120	454	24	610	67 1/4	1708	5 1/2	12	32	230	104

Dimensions are subject to change.
 Shipping weights are approximate.