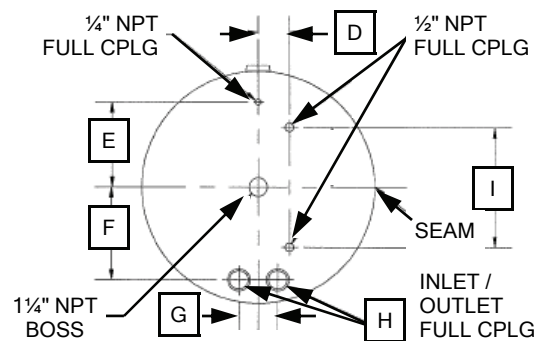
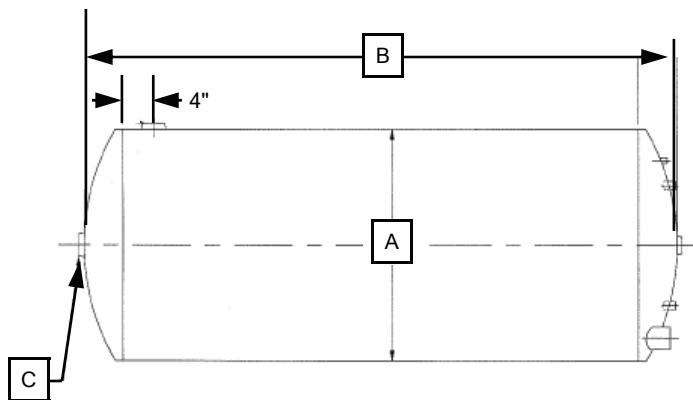


Job Name:		
Job No:	JWC Representative:	
Tag No.:	Submitted By:	Date:
Engineer:	Approved By:	Date:
Contractor:	Order No.:	Date:

JHPG Series

Non-Code Galvanized Storage Tanks
 Certified to NSF/ANSI Standard 61
 For Potable Water Systems
 Suitable for Temperatures up to 140°F



MODEL NUMBER	MAWP	TANK VOLUME		A DIAMETER		B OVER-HEADS		C DIM	D DIM	E DIM	F DIM	G DIM	H DIM	I DIM	EST WGT
		GAL	L	IN	MM	IN	MM								
JHPG-16-315	75	85	322	20	508	66	1676	1½	5	6	7	5	1¼	10	115
JHPG-16-317	75	125	473	24	610	66¾	1695	2	5	8	9	5	1¼	14	150
JHPG-16-319	75	220	833	30	762	76½	1943	2	4	11	12	5	2	15½	305
JHPG-16-320	75	315	1192	36	914	78	1981	2	4	14	15½	5	2	15½	420
JHPG-16-321	75	525	1987	36	914	114½	2908	2	4	14	15½	5	2	15½	625

Dimensions are subject to change.
 Shipping weights are approximate.