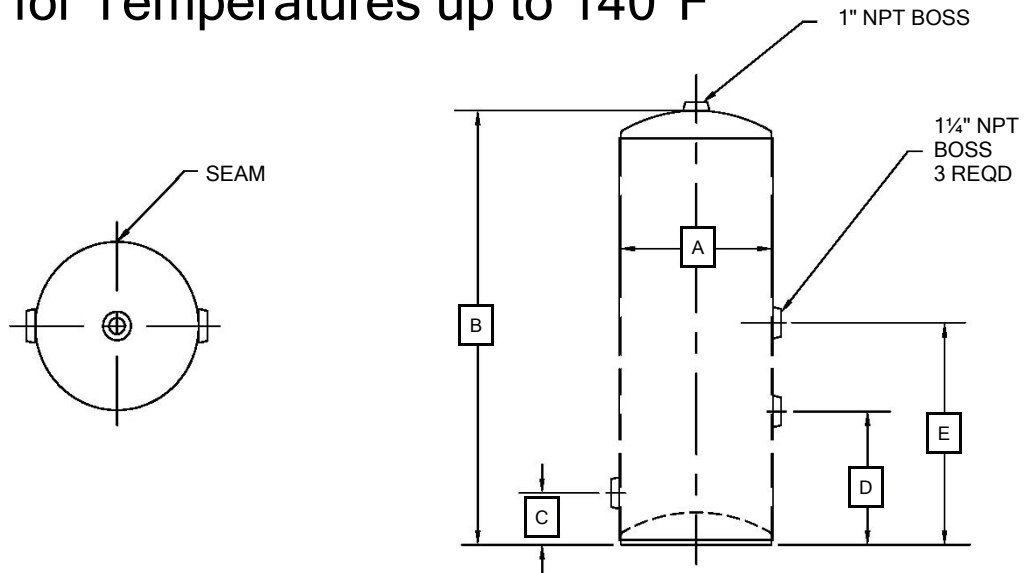


Job Name:		
Job No:	JWC Representative:	
Tag No.:	Submitted By:	Date:
Engineer:	Approved By:	Date:
Contractor:	Order No.:	Date:

## JVPG Series

Non-Code Galvanized Storage Tanks  
 Certified to NSF/ANSI Standard 61  
 For Potable Water Systems  
 Suitable for Temperatures up to 140°F



MODEL NUMBER	MAWP	TANK VOLUME		A DIAMETER		B HEIGHT		C DIM	D DIM	E DIM	EST WEIGHT	
		GAL	L	IN	MM	IN	MM				IN	LBS
JVPG-12-325	125	42T	159	16	406	53¼	1353	4½	12	26	105	48
JVPG-12-326	125	42S	159	20	508	36½	927	5	12	18	95	43
JVPG-12-327	125	82	310	20	508	66¼	1683	5	12	32	160	73

Dimensions are subject to change.  
 Shipping weights are approximate.